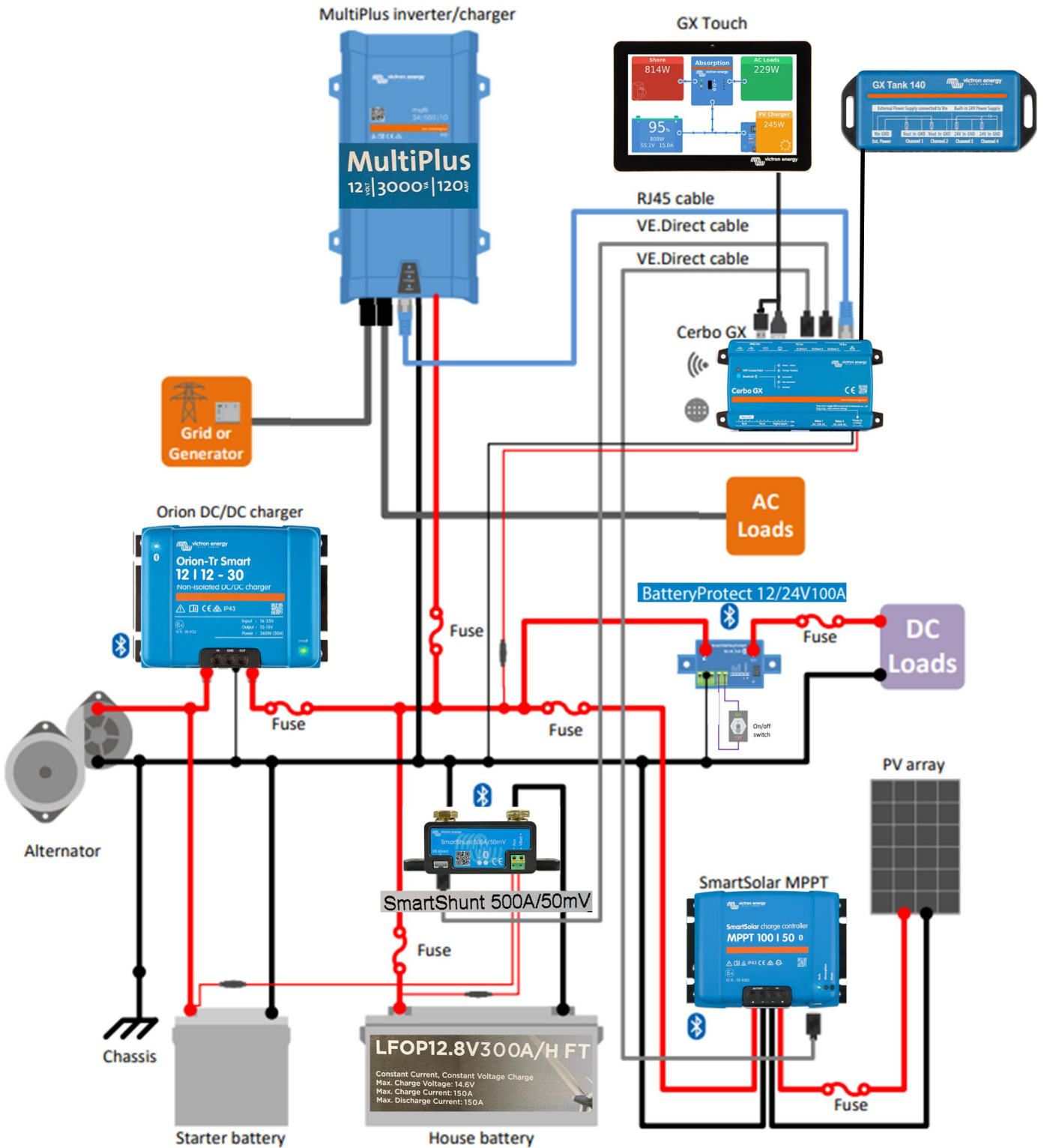


# Complete RV Victron System

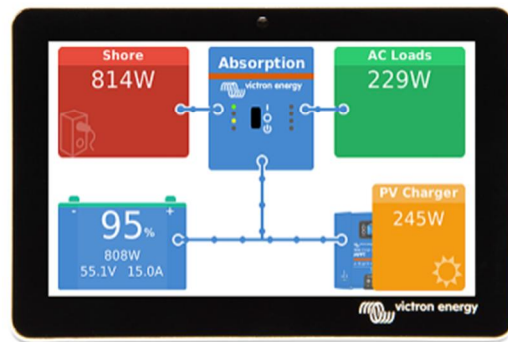


# GX Touch 50 & GX Touch 70

## Panels and system monitoring

The GX Touch 50 and GX Touch 70 are display accessories for our [Cerbo GX](#). The five inch and seven inch touch screen displays give an instant overview of your system and allow to adjust settings in the blink of an eye. Simply connected to the Cerbo GX with one cable, Their super slim waterproof design, top-mountable setup and simple installation bring a lot of flexibility when creating a crisp and clean dashboard.

[Watch the new video](#) that explains all there is to know about installing the new Cerbo GX & GX Touch 50.



# Cerbo GX

## Panels and system monitoring

This all-new communication-centre allows you to always have perfect control over your system from wherever you are and maximises its performance. Simply connect through our Victron Remote Management (VRM) portal, or access directly, using the separate [GX Touch](#), a MFD or our VictronConnect App thanks to its added Bluetooth capability. This latest addition to the GX-range combines all the best of connectivity, redefining smart power solutions in every way.

[Watch the new video](#) that explains all there is to know about installing the new Cerbo GX & GX Touch 50.



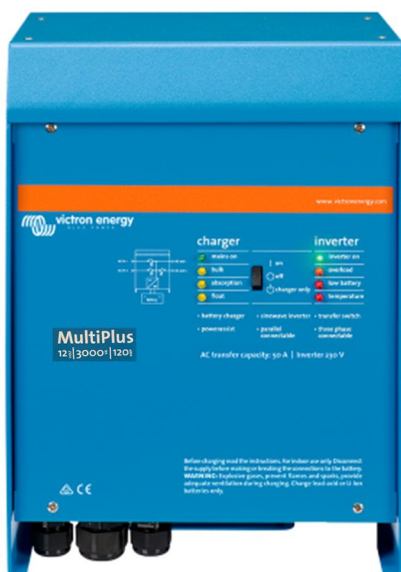
# MultiPlus

## Multifunctional

The MultiPlus, as the name suggests, is a combined inverter and charger in one elegant package. Its many features include a true sine wave inverter, adaptive charging, hybrid PowerAssist technology, plus multiple system integration features.

**Models:**

3000VA



# SmartSolar MPPT 100/30 & 100/50

## Solar charge controller

A solar charger gathers energy from your solar panels, and stores it in your batteries. Using the latest, fastest technology, SmartSolar maximises this energy-harvest, driving it intelligently to achieve full charge in the shortest possible time. SmartSolar maintains battery health, extending its life.

The SmartSolar charge controller will even recharge a severely depleted battery. It can operate with a battery voltage as low as 0 Volts, provided the cells are not permanently sulphated or otherwise damaged.

### Models:

12 Volt



# Orion-Tr Smart DC-DC Charger Non-Isolated

The Orion-Tr Smart DC-DC charger is a professional DC to DC adaptive 3-stage charger with built-in Bluetooth.

For use in dual battery systems in vehicles or on boats where the alternator and the start battery are used to charge the service battery. The unit can be monitored and programmed via Bluetooth and can be remotely controlled via a remote on/off switch.

The Orion-Tr Smart charger can be used in 12V or 24V systems and is suitable for both lead acid and lithium batteries. Models are available up to 400W and unlimited multiple units can be connected in parallel to increase output power.

Suitable for high temperatures up to 55°C with a full rated output up to 40°C.

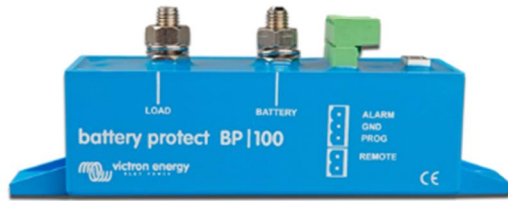




# BatteryProtect

The BatteryProtect disconnects the battery from non essential loads before it is completely discharged (which would damage the battery) or before it has insufficient power left to crank the engine.

The BatteryProtect is a uni-directional device. It can only deal with current in one direction, so either current to a load, or current from a charger, but not both currents at the same time. In addition to this, current only can only flow from the Battery terminal to the Load terminal. In case of use with a load, the battery connects to the Battery terminal, and in case of use with a charger, the charger connects to the Battery terminal.



# SmartShunt

## The Smart Battery Shunt

The SmartShunt is an all in one battery monitor, only without a display. Your phone acts as the display. The SmartShunt connects via Bluetooth to the VictronConnect app on your phone (or tablet) and you can conveniently read out all monitored battery parameters, like state of charge, time to go, historical information and much more.

Alternatively the SmartShunt can be connected and be read by a GX device. Connection to the SmartShunt is made via a VE.Direct cable.

The SmartShunt is a good alternative for a BMV battery monitor, especially for systems where battery monitoring is needed but less wiring and clutter is wanted.

The SmartShunt is equipped with Bluetooth, a VE.Direct port and a connection that can be used for: monitoring a second battery, midpoint monitoring or a temperature sensor.

Models:  
IP21: 500A



## Caravan Standard Battery Lithium 12V300AH



# GX Tank 140

The GX Tank 140 takes readings from up to four tank level sensors. It is an accessory for our range of GX system monitoring products, of which the [Cerbo GX](#) is the most commonly used model.

Tank levels can be read-out locally in the system, see screenshot, as well remotely through our [VRM Portal](#).

The GX Tank 140 is compatible with current senders (4 to 20 mA) as well as voltage senders (0 to 10 V). The connection to the GX Device is via USB, which is also how the GX Tank is powered: no additional power wires required.

Tank sender wiring is kept as simple as possible: two of the four inputs provide a 24 V power supply, to power the sender. The other two channels do require an external power supply, and there is a power in terminal together with fused outputs to facilitate that.

Upper and lower limits are configurable, to allow using senders that provide only part of the scale, for example 0 to 5 V.

To provide a stable reading, the readings are averaged damping. The damping can be configured between 1 and 60 seconds.

Faulty sensors and wiring issues are detected: an alarm will be raised when values are out of range.

For marine applications, the GX Device can transmit these tank levels on the NMEA 2000 network to be picked up by other displays such as an MFD.

